

# PowerLogic® 3090 SCCT Series

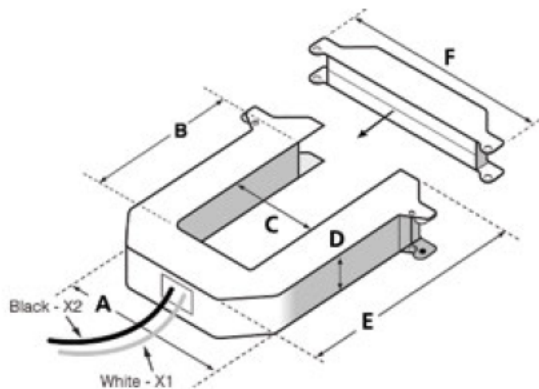
## Split Core Current Transformers

The 3090 SCCT series of instrument grade 5 Amp split-core current transformers provide secondary amperage proportional to the primary (sensed) current. Ideal for use with PowerLogic circuit monitors, power meters, transducers and other instruments, the 3090 SCCT series provides a cost-effective means to transform electrical service amperages to a 0-5 Amp level compatible with monitoring equipment.



### Applications

- Energy and power management
- Equipment monitoring
- Data logging
- Power sensitive processes



### Specifications

Output at Rated Current	5 Amps AC
Rated Input Current	See ordering information below
Frequency Range	50/60Hz
Leads	18 AWG, UL 1015 twisted pair, 6 FT. (1.8m) length
Temperature Range	-15° to 60°C
Humidity Range	0-95% non-condensing
Insulation Class	600VAC**

*\*\*Do not apply 600V Class current transformers to circuits having a phase-to-phase voltage greater than 600V, unless adequate additional insulation is applied between the primary conductor and the current transformers.*

#### Size 2

200 Amp  
300 Amp

A- 3.75" (95mm)  
B- 1.51" (38mm)  
C- 1.25" (32mm)  
D- 1.13" (29mm)  
E- 3.91" (100mm)  
F- 4.75" (121mm)

#### Size 3

400 Amp  
600 Amp  
800 Amp

A- 4.90" (124mm)  
B- 2.89" (73mm)  
C- 2.45" (62mm)  
D- 1.13" (29mm)  
E- 5.20" (132mm)  
F- 5.91" (150mm)

#### Size 4

800 Amp  
1600 Amp

A- 4.90" (124mm)  
B- 5.50" (140mm)  
C- 2.45" (62mm)  
D- 1.13" (29mm)  
E- 7.88" (201mm)  
F- 5.92" (151mm)

Model	Sensed Amperage	Ratio	Burden Capacity	Housing Size	F.S. Accuracy
3090 SCCT022	0-200A AC	200:5	2.5VA	2	1%
3090 SCCT032	0-300-A AC	300:5	2.5VA	2	1%
3090 SCCT043	0-400A AC	400:5	5VA	3	1%
3090 SCCT063	0-600A AC	600:5	5VA	3	1%
3090 SCCT083	0-800A AC	800:5	12.5VA	3	1%
3090 SCCT084	0-800A AC	800:5	5VA	4	1%
3090 SCCT124	0-1200A AC	1200:5	22.5VA	4	1%
3090 SCCT164	0-1600A AC	1600:5	22.5VA	4	1%

Schneider Electric - North American  
Operating Division

